

**COLGATE
SCAFFOLDING
& EQUIPMENT CORP.**



**O'FARRELL
SCAFFOLDING
& EQUIPMENT CORP.**

RENTAL CATALOG

RENTALS • INSTALLATIONS • ENGINEERING



- ROLLING TOWERS
- STEEL SCAFFOLD
- SWING STAGES

- TUBE AND CLAMP
- WORK PLATFORMS
- ALUMINUM STAGES
- LADDERS

- TRASH CHUTES
- HOISTS
- MATERIAL LIFTS

1470 BRUCKNER BOULEVARD, BRONX, NY 10473

TEL: 718.589.4900 • FAX: 718.589.4949

www.colgatescaffold.com

SCAFFOLDING ACCESSORIES



5" Caster



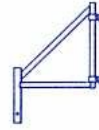
8" Caster



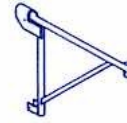
Base Plate



Coupling Pin



Base Outrigger



Side Bracket



Jack



Socket Jack



Guard Rail Post



Well Wheel



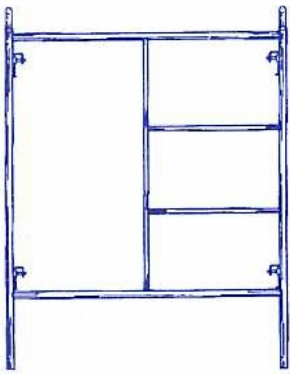
90° Rigid Clamp



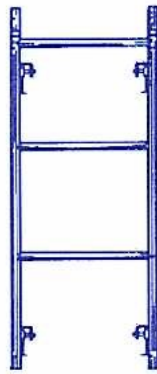
360° Swivel Clamp

SCAFFOLDING FRAMES

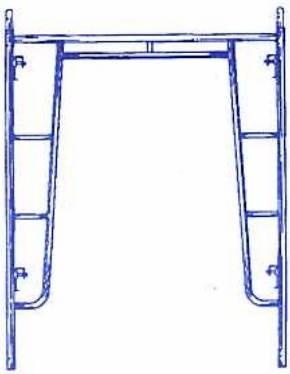
We have many frame styles for you to choose from.



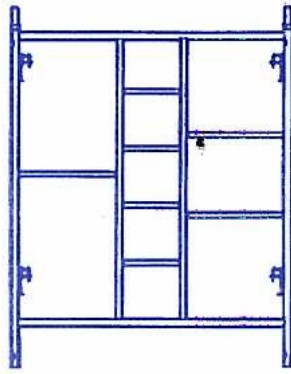
5'
Mason Frame



2'
Narrow Frame



5'
Walk-Thru Frame



5'
Access Ladder Frame

The 5-foot wide frames are ideally suited for maintenance and general applications. They are available in various heights plus a 6' 4" Walk-thru model. They are recommended where the maximum load capacity does not exceed 50 lbs. per square foot uniformly distributed over a 5' x 7' area.

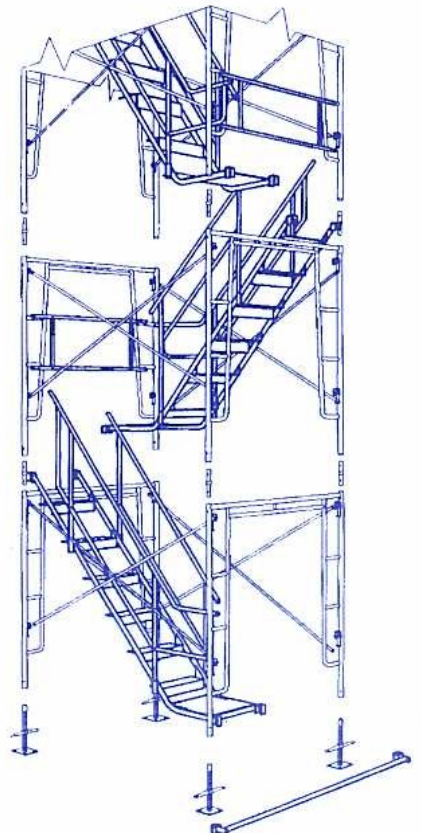
The narrow 2-foot wide frames are particularly suited for narrow areas. They are recommended where the maximum load capacity does not exceed 50 lbs. per square foot.

An access ladder or equivalent safe access must be provided.



Galvanized Cross Braces

Internal Stairway

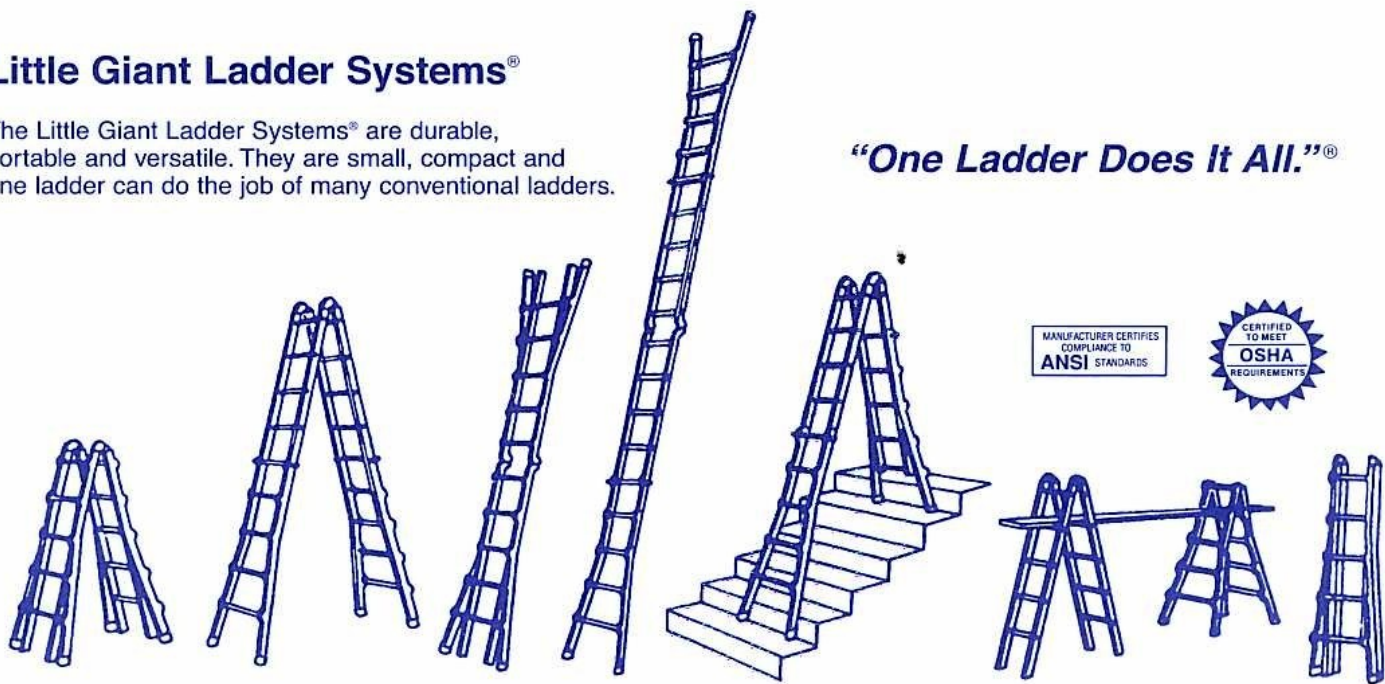


LITTLE GIANT LADDER SYSTEMS® (Sale Only)

Little Giant Ladder Systems®

The Little Giant Ladder Systems® are durable, portable and versatile. They are small, compact and one ladder can do the job of many conventional ladders.

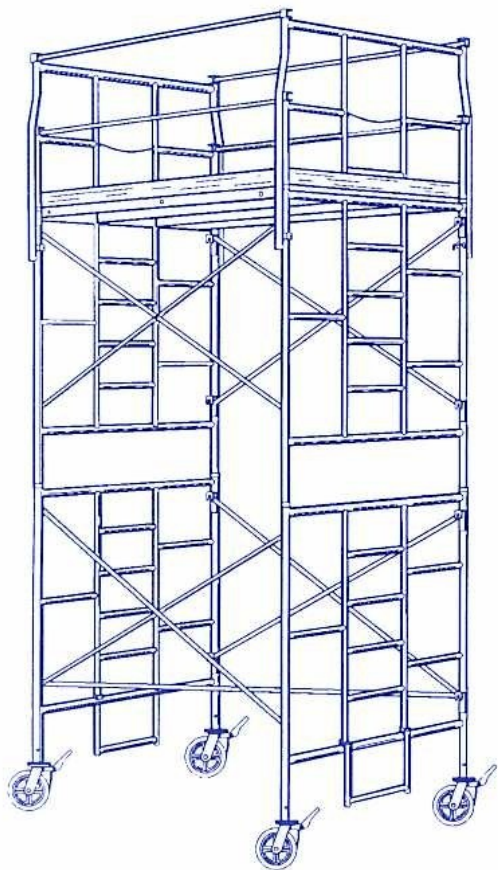
"One Ladder Does It All."®



MANUFACTURER CERTIFIES COMPLIANCE TO ANSI STANDARDS



ROLLING TOWERS



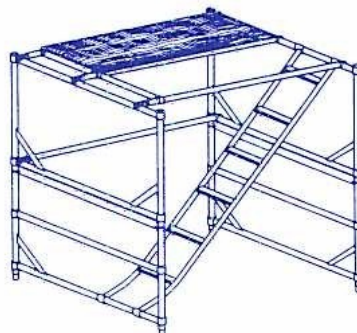
Illustrated here is a complete rolling tower using access ladder frames. Many sizes can be constructed from various scaffold frames.

ALUMINUM SCAFFOLDING (Sale Only)

WERNER

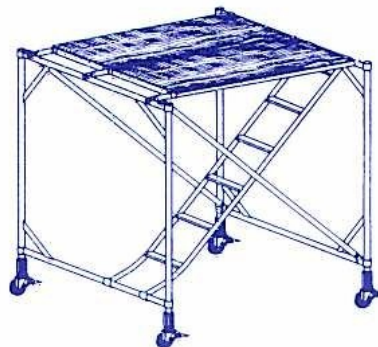
5' 6" HIGH UPPER SECTION

| Model | Length | Weight |
|-------|--------|----------|
| 4002 | 6' | 102 lbs. |



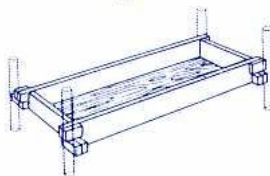
6' 9" ADJ. TO 7' 9" BASE SECTION

| Model | Length | Weight |
|-------|--------|----------|
| 4001 | 6' | 147 lbs. |



Toeboard Systems For Aluminum Scaffolds

OSHA requires toeboards on scaffolds over 10'



Right Angle Clamp



Swivel Clamp

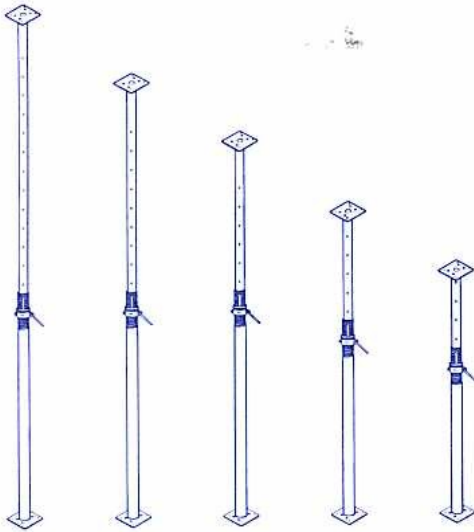


End Fittings



Base Plate

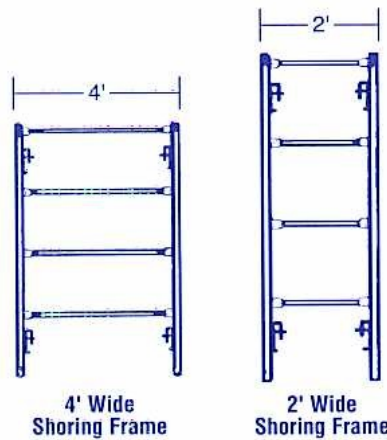
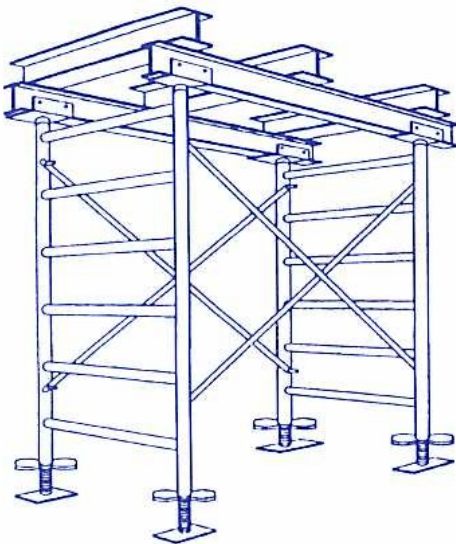
POST SHORES



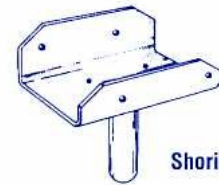
| SIZE | # 0 | # 1 | # 2 | # 3 | # 4 |
|--------|----------|---------|--------|--------|---------|
| CLOSED | 3' 6" | 5' 9" | 6' 6" | 8' 6" | 10' 6" |
| OPEN | 5' 6" | 10' 0" | 11' 0" | 13' 0" | 16' 0" |
| WEIGHT | 26.5 LB. | 37.5 LB | 40 LB. | 46 LB. | 53.5 LB |

| | | | | | |
|----------|-------------|-------------|-------------|-------------|-------------|
| POST # 0 | 4' - 12,000 | 5' - 11,100 | 6' - 10,100 | | |
| POST # 1 | 6' - 10,100 | 7' - 9,300 | 8' - 8,200 | 9' - 7,200 | 10' - 6,100 |
| POST # 2 | 7' - 9,300 | 8' - 8,200 | 9' - 7,200 | 10' - 6,100 | 11' - 5,100 |
| POST # 3 | 9' - 7,200 | 10' - 6,100 | 11' - 5,100 | 12' - 4,000 | 13' - 3,000 |
| POST # 4 | 11' - 5,100 | 12' - 4,000 | 13' - 3,000 | 14' - 2,700 | 15' - 2,400 |

SHORING SCAFFOLD & BEAMS

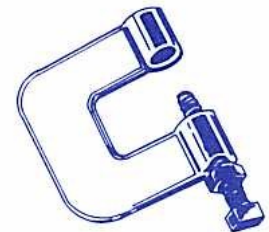
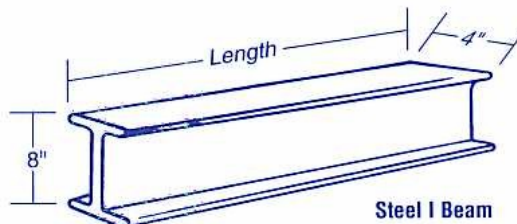
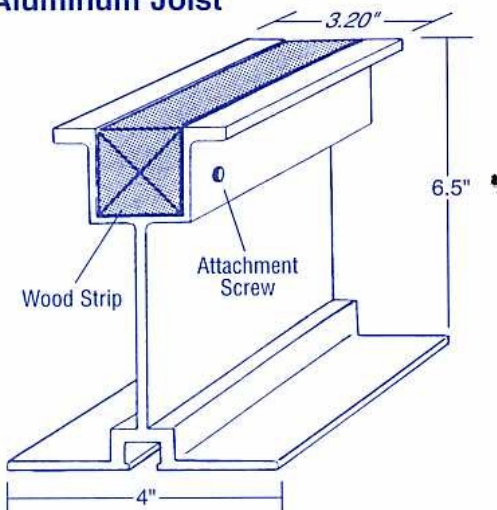


HEADS & SCREW JACKS



SHORING

Aluminum Joist



PROJAX MULTI-PURPOSE PACKAGES



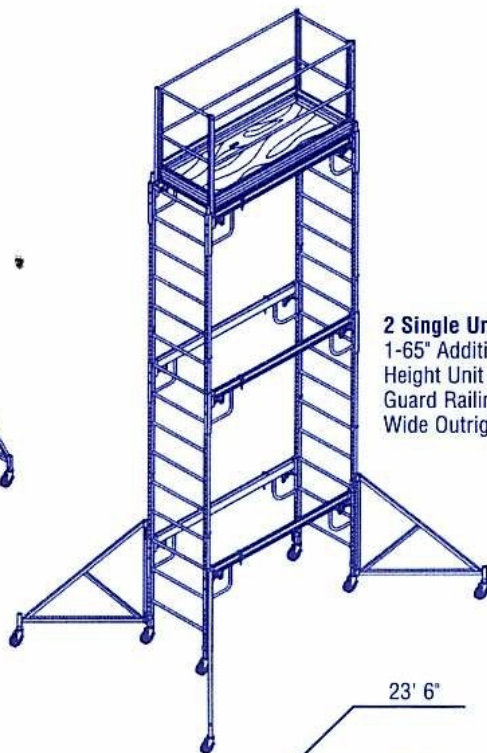
Single Unit



Single Unit
w/Guard Railing



2 Single Units
w/Guard Railing
& Narrow Outriggers



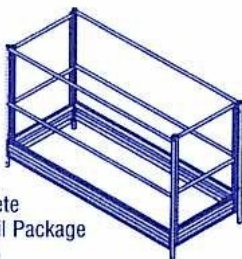
2 Single Units
1-65" Additional
Height Unit with
Guard Railing and
Wide Outriggers



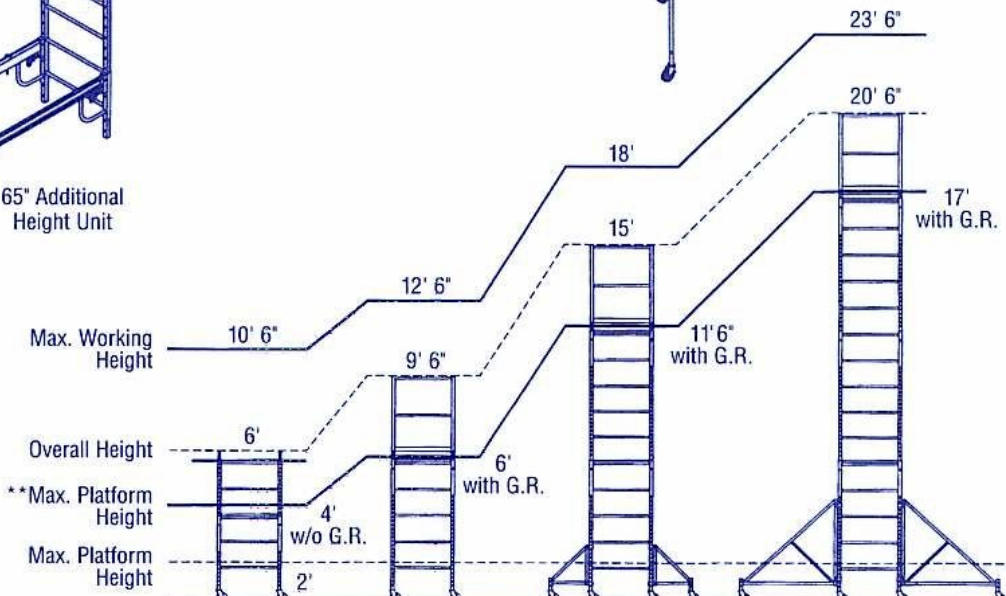
39" Additional
Height Unit



65" Additional
Height Unit



6' Complete
Guard Rail Package
(2 pieces)



Single Unit
w/o Guard Railing

Single Unit
with Guard Railing

2 Single Units
with Guard Railing
& Narrow Outriggers

2 Single Units
1-65" Additional Height Unit with
Guard Railing & Narrow Outriggers

ALUMINUM VAN RACK

Installs with allen bolts.
(Allen wrench included)

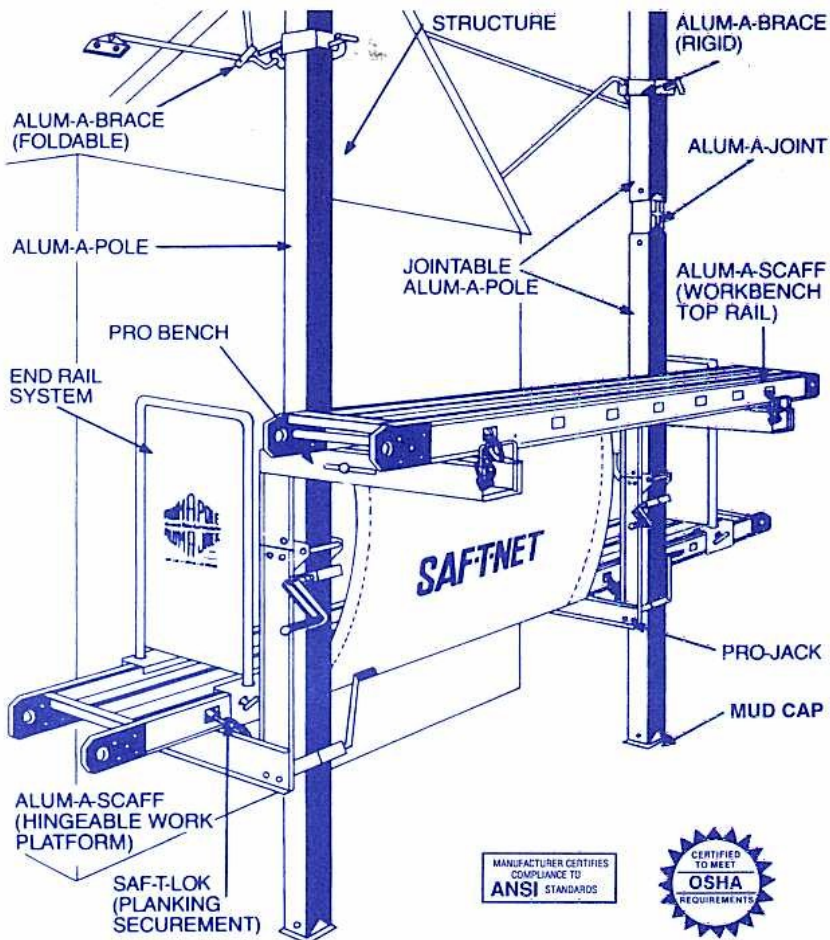


JOBBOX ALUMINUM TRUCK BOXES



Single Lid and
Gull Wing Crossovers

ALUM-A-POLE SYSTEM



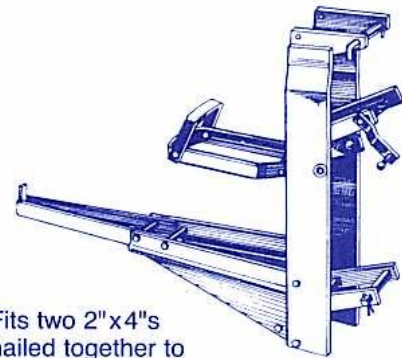
Alum-A-Pole

Tuff, Multi-Purpose Scaffolding System

At last, a hingeable staging and guard rail that moves up and down with the worker. This means comfortable, enclosed safety for siding, painting, DRY-VIT or U-NAM-IT.

Alum-A-Pole components are not designed to be used with other brands of Pump Jacks.

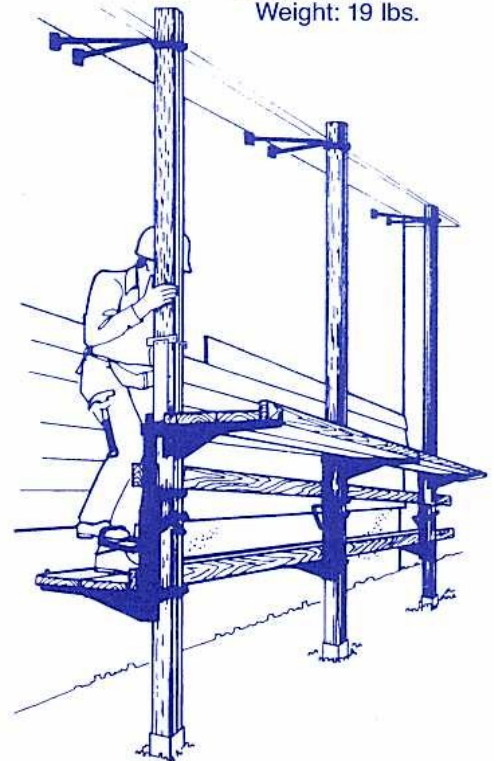
LYN-LAD PUMP JACK



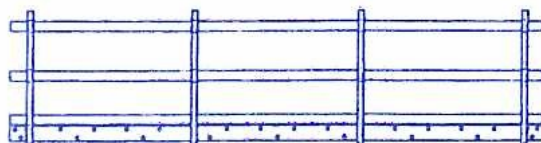
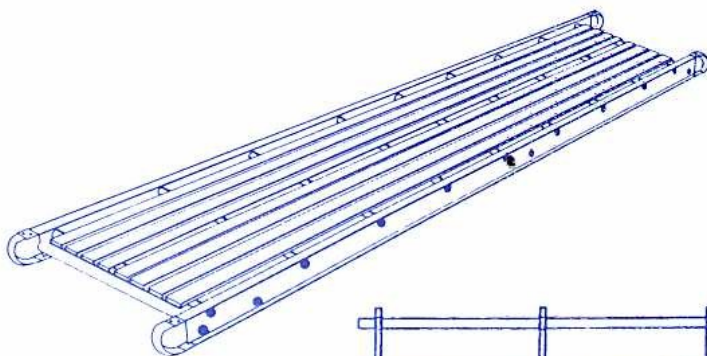
Fits two 2" x 4"s nailed together to make a pole. Pump it up with your foot. Crank it down with your hand. One-man operation.

Color: Green

Weight: 19 lbs.



ALUMINUM STAGES



Stages are designed for many uses. Ideal as swing stages...for ladder jack applications...bridges, catwalks, "Job Rated" for one, two and three men loads. Constructed with Twist Proof® rungs, well built and easy to handle.

Lengths: 8', 12', 16', 20', 32', 36', and 40'
Widths: 12", 14", 20", 24", and 28"

Handrail and Toeboard Systems Available

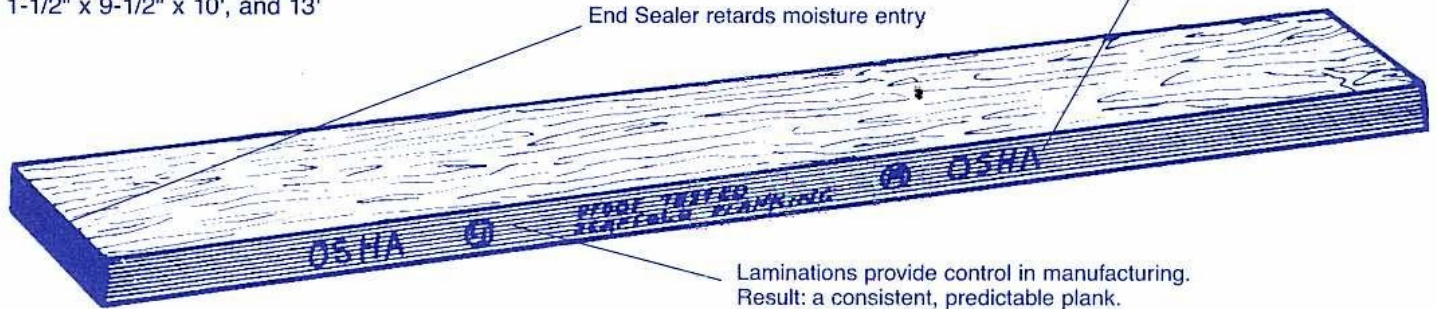
LAMINATED SCAFFOLD PLANKS

Laminated Veneer Scaffold Grade Wooden Planks are made with a waterproof adhesive to insure strong bonding in extended wet conditions.

Dimensions:
1-1/2" x 9-1/2" x 10', and 13'

OSHA Stamp confirms conformance to applicable OSHA standards

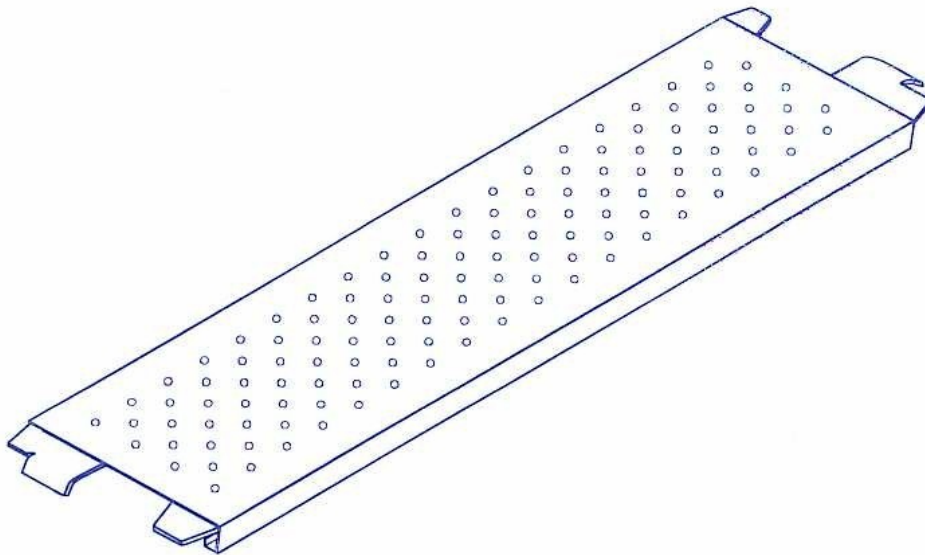
End Sealer retards moisture entry



Laminations provide control in manufacturing. Result: a consistent, predictable plank.

We also provide steel planks in the above configuration; in 7', 8', and 10' lengths.

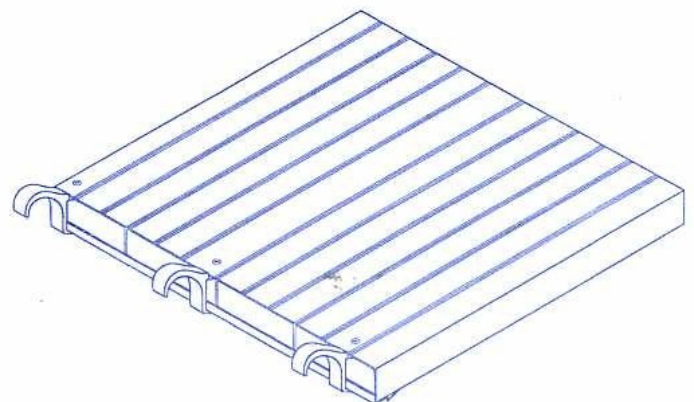
STEEL PLANKS



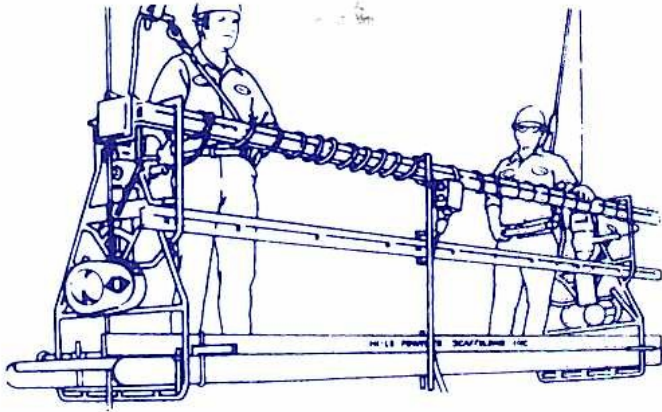
| GALVANIZED STEEL PLANKS | | |
|-------------------------|----------|-----------|
| Length | Width | Weight |
| 7'0" | 8-13/16" | 31.9 lbs. |
| 8'0" | 8-13/16" | 36.1 lbs. |
| 10'0" | 8-13/16" | 44.4 lbs. |

ALUMINUM DECKS

| ALUMINUM DECK WITH HOOK | | |
|-------------------------|---------|-----------|
| Length | Width | Weight |
| 7'0" | 19-1/4" | 31.0 lbs. |
| 8'0" | 19-1/4" | 33.0 lbs. |
| 10'0" | 19-1/4" | 42.0 lbs. |



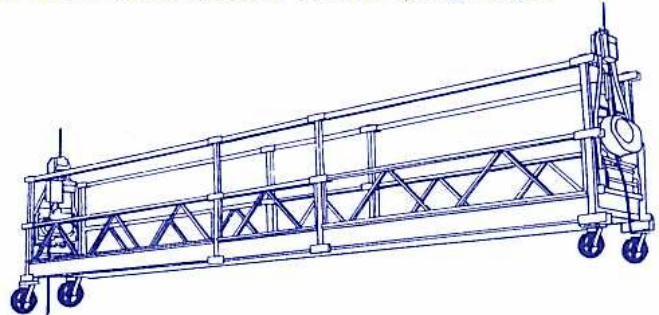
POWERED SWING STAGES



Powered Swing Stage Units are available individually or in pairs. They easily adapt to either Single Man Work Cages, Bosun Seats, Aluminum Stage Platforms or Modular Stages.

All Powered Swing Stage Units are unlimited in the height they can climb.

Hi-Lo and Tirak System Powered Swing Stages



Standard Modular Corner Sections

Angular sections are available in 15°, 30°, 45°, 60°, and 90° corners.

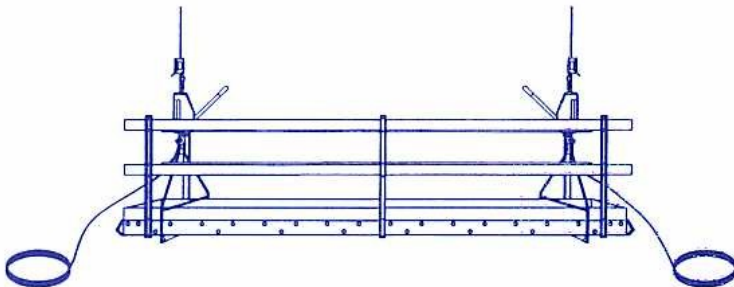


90° modular scaffolding section with guard rails



45° modular scaffolding section with guard rails

SWING STAGES (Mechanical and Manual)



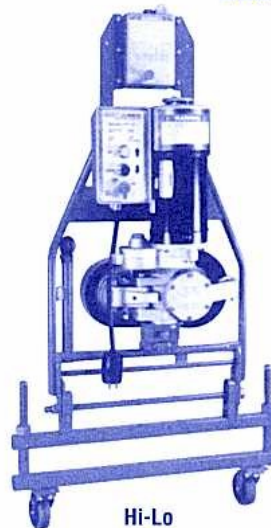
A Typical Mechanical Swing Stage consists of:

- 1 pair of Griphoist
- 1 pair of Griphoist Stirrups
- 1 pair of Bloc Stop Safety Devices
- 1 pair of Griphoist Wire Rope Assemblies
- 1 pair of Roller Bumpers
- 1 only Aluminum Stage 24' long—750 lbs. load rated
- 1 Guard Rail System with Toeboards

(Aluminum 2' x 4"s and center iron pictured)

MOTORS (Electrical & Mechanical)

ELECTRICAL



Hi-Lo

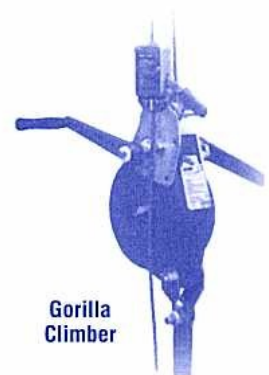


Tirak

MECHANICAL

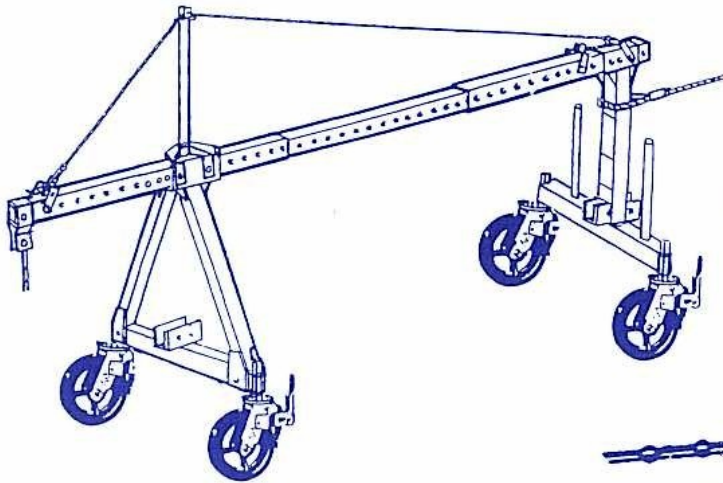


Alba



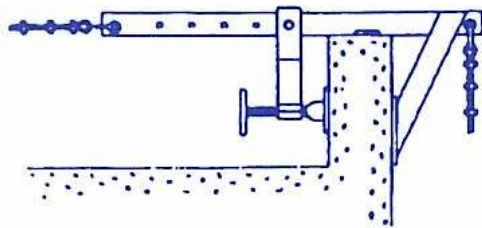
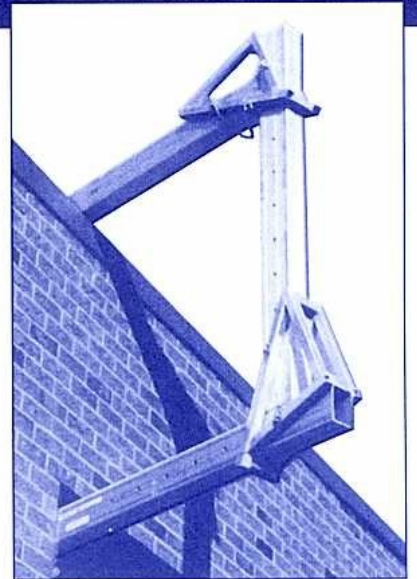
Gorilla Climber

HANGING METHODS — Outrigger & Delta Systems

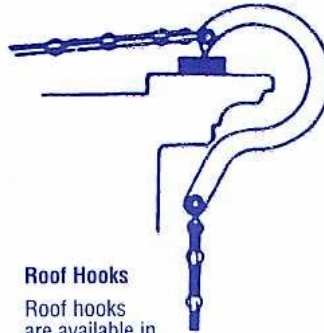


Overhang Beam

Lets you reach areas below an overhang or cornice. Fully adjustable components reach up to 5' down and 4' under an overhang.

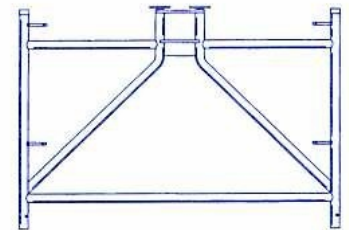


Adjustable Parapet Clamps



Roof Hooks

Roof hooks are available in various sizes.



Outrigger Frame

Many Other Hanging Methods Are Available

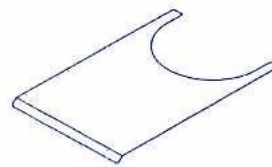
DEBRIS CHUTES & ACCESSORIES



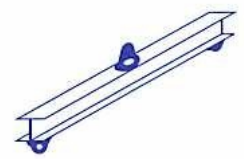
Chute with Chains

Molded Hopper Section

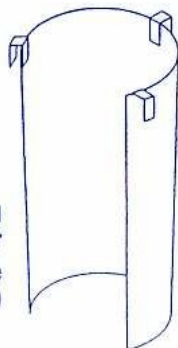
(Includes Support Chains, Retainer Chains, & Rubber Dust Flap)



Galvanized Steel Hopper Liner



Spreader Bar



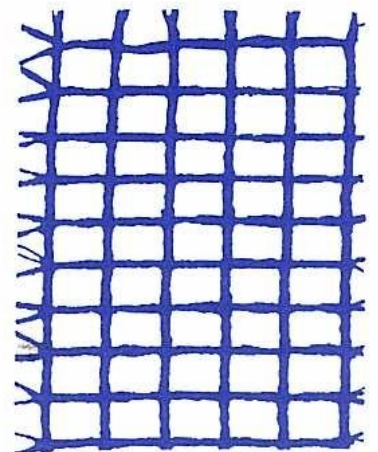
Galvanized Steel Chute Liner
(For Highly Abrasive Conditions)

Debris Netting

- Knitted polyethylene threads with reinforced border.
- Lightweight—stays flexible in cold weather.
- Meets NYC Local Law 61 and OSHA specs.
- Available in fire retardant, high-visibility fluorescent orange or non-fire retardant black.
- Economical and cost effective.

• Available sizes:

FR: 4' x 150', and 8'6" x 150'
Non FR: 4' x 150', and 8'6" x 150'



MANUAL SWING STAGE SYSTEMS

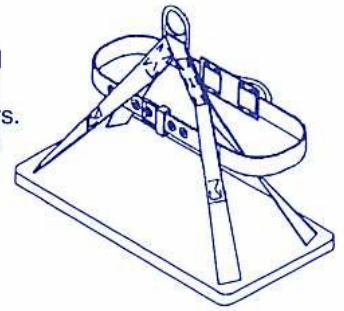


Painter's Rope Falls (Manual)

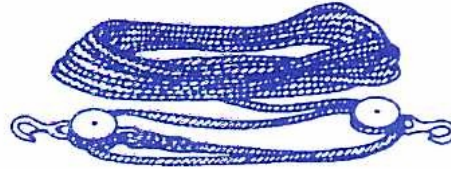
Consists of:
 1 pair 3/4" rope falls (70")
 1 pair 24" steel stirrups
 1 only 28" wide aluminum stage (24' long)
 1 hand rail or guard rail system with toeboard
 (Aluminum 2"x4"s and Center Iron not shown)

Bos'n Seat

The wide plywood seat is supported on the four corners. Includes a tongue buckle waist belt. Weight: 8 lbs.



Rope Falls
 • 6" bronze bushed blocks
 • 3/4" best grade rope



Blocks Only



SAFETY EQUIPMENT (Sale Only)



Rope Grab

Unique, controlled shock-absorbing, arresting action allows the device to be used without an additional shock/energy absorbing device. Accepts 5/8" synthetic lifeline.



Full Body Harness

An economical, lightweight harness complete with D-Ring and fully adjustable straps and buckles.

Lanyard

1/2" nylon rope with double locking snap hooks on both ends.

Available with shock absorber

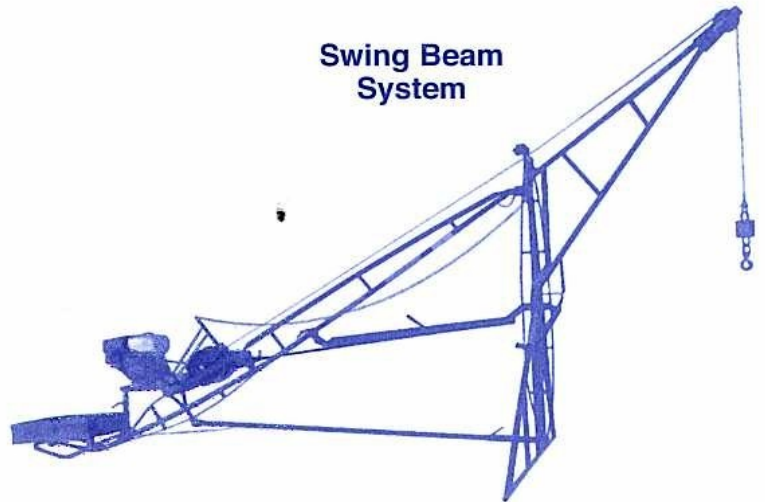


Full Line of Diamond Blades Available

PORTABLE ELECTRIC MATERIAL HOISTS



**LEO XXL
Portable
Hoist**

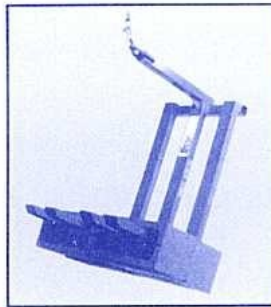


**Swing Beam
System**

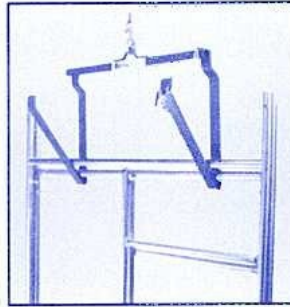
HOISTING ACCESSORIES



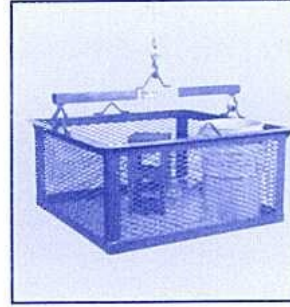
BRICK FORK
400 lb. capacity
29-1/4"L x 7-1/2"W x
37-1/2"H
Max. brick size:
2-1/2" x 3" x 8"



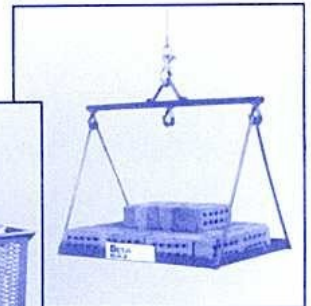
BLOCK FORK
800 lb. capacity
24-1/2"L x 24-1/2"W x
34-1/2"H
For lifting 8" x 8" x 16" block



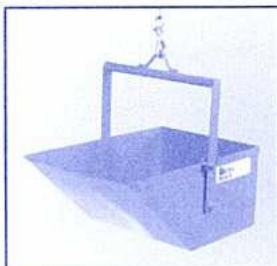
SCAFFOLD FRAME FORK
600 lb. capacity
36-1/4"L x 15"W x 25"H
Holds 10 scaffold frames



BASKET (with spreader bar)
800 lb. capacity
36-3/4"L x 36-3/4"W x 18-1/2"H
400 lb. capacity
30-3/4"L x 20-3/4"W x 12-1/4"H



**BRICK TRAY
(with spreader bar)**
400 lb. capacity
29"L x 20"W x 20-1/2"H



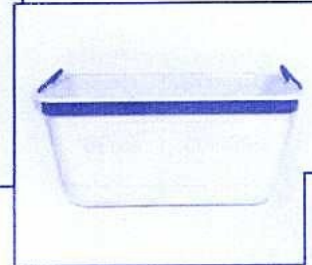
DUMPSTER BUCKET
Easy to empty, swivels
through 360° arc;
24, 31, 40 gallon capacities
available



WHEELBARROW SLING
400 lb. regular duty capacity
800 lb. heavy duty capacity
Fits standard wheelbarrows



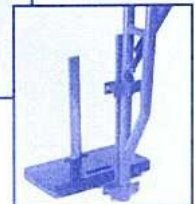
SPREADER BAR
Perfect for lifting buckets
or cross braces



MUD TUB
1/4 yard capacity
42"L x 27"W x 18"H
1/3 yard capacity
42"L x 27"W x 28"H



DOUBLE ROPE KIT
A rugged pulley and
hook assembly designed
for units with double-rope
capabilities



**COUNTERWEIGHT
CLAMP ASSEMBLY**
Easily attaches to Trestle
Monorail and Scaff-Trac
systems with tubular
clamps. Use with 50 lb.
suspended staging counter
weights

ELECTRIC SLAB SCISSOR LIFTS

1932 E2



2646 E2



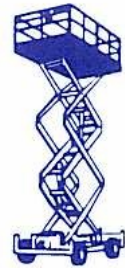
- Can pass through a standard doorway
- Driveable at full extension
- Tight turning radius
- 4' hydraulic traversing platforms
- Capacities to 750 lbs.
- Narrow and wide units available

Platform Heights Through 19' and 26'

ROUGH TERRAIN SCISSOR LIFTS



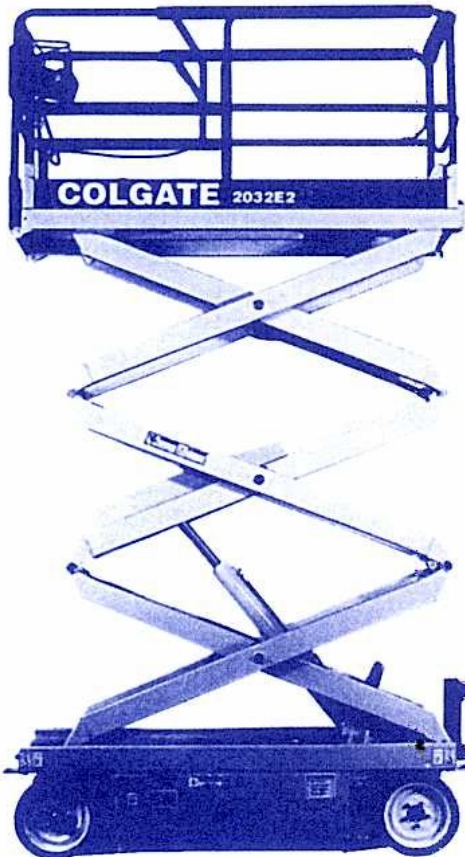
BTS 33



- 4 wheel drive
- Oscillating axles
- Large platform work areas
- Platform weight capacities up to 1500 lbs.
- 4' manual extendable platforms
- 4' powered extendable platforms
- Gas propane or electric models available
- Units have independent hydraulic outriggers

Platform Heights Through 33'

E2 SERIES SCISSOR LIFTS



High Performance, Quality and Value

Features and Benefits

- A full range platform heights
- Rigid scissor arms provide the operator with the stability of a solid and sturdy platform
- Colgate's electric scissor lifts provide long battery duty cycles for hours of operation in multi-shift conditions
- Colgate's rugged rough terrain scissor lifts provide optimal rough terrain performance
- Smooth controls combined with fast lift and drive speeds provide optimal productivity for the operator

Delivery Available with Boom Truck



COLGATE
SCAFFOLDING
& EQUIPMENT CORP.



O'FARRELL
SCAFFOLDING
& EQUIPMENT CORP.

REV. 11/04

1470 BRUCKNER BOULEVARD, BRONX, NY 10473 TEL: 718.589.4900 • FAX: 718.589.4949

www.colgatescaffold.com